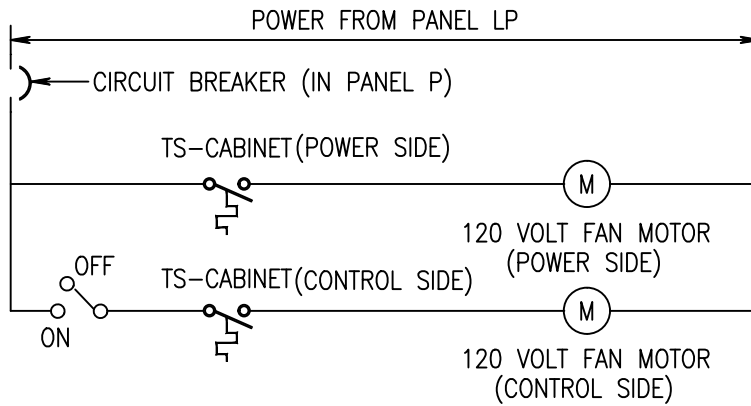


CABINET HEATER - ELECTRICAL CABINET



SUPPLY FAN - ELECTRICAL CABINET



SUSSEX COUNTY
ENGINEERING DEPARTMENT

APPROVED: *[Signature]*
SUSSEX COUNTY ENGINEER

CABINET HEATER AND
SUPPLY FAN

DETAIL
I-1

DATE ISSUED:
4/25/2023