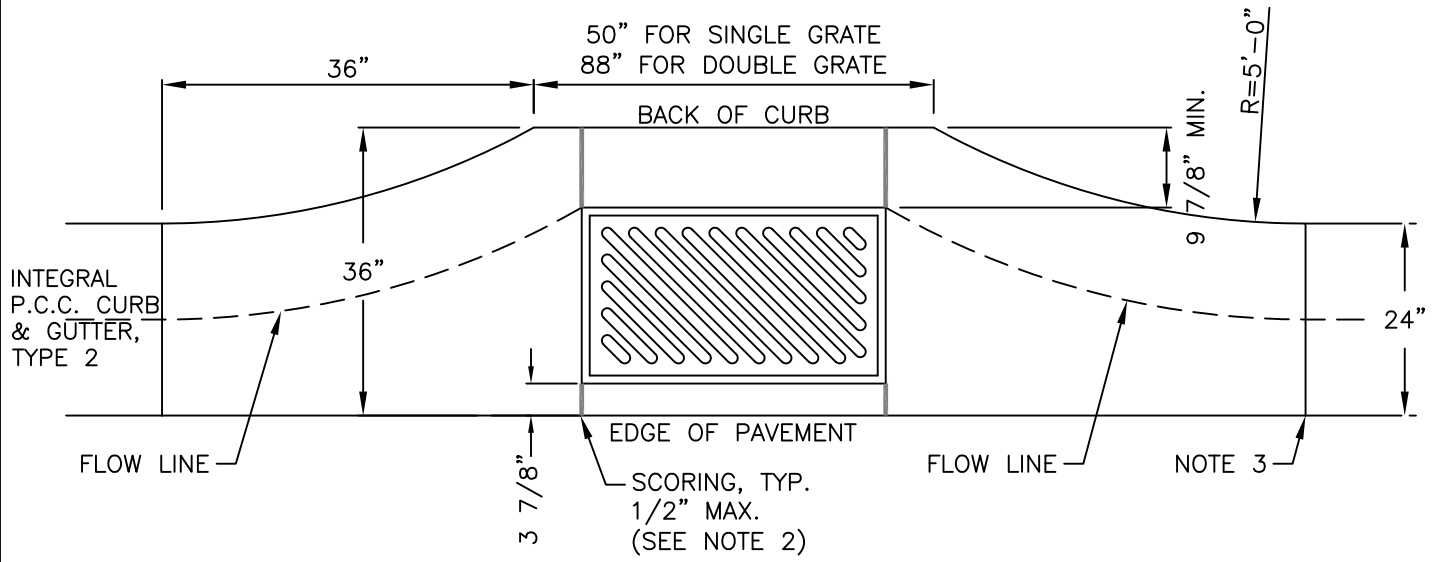


- NOTES:**
1. THE REBAR IS PREFERRED TO BE ONE CONTINUOUS PIECE. IF MULTIPLE PIECES ARE USED, EACH PIECE SHALL OVERLAP BY 12" MINIMUM.
 2. WHEN FRAME AND GRATE IS BEING SET TO FINAL GRADE, CAST IN PLACE CONCRETE MUST BE USED TO SUPPORT THE FRAME.

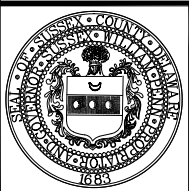
S501 BENDING DIAGRAM
 #5 REBAR (5/8") TO BE CONTINUOUS OR WITH 12" OVERLAP BETWEEN BARS.

SECTION



PLAN

- NOTES**
1. THIS DETAIL REPRESENTS A MODIFICATION TO DELDOT'S DRAINAGE INLET TOP UNIT TYPE D STANDARD, AND SHALL BE INCORPORATED IN SUBDIVISION DESIGN AS APPROPRIATE.
 2. ON DOUBLE INLET GRATES, THE MIDPOINT SHALL BE SCORED IN BETWEEN THE GRATES, FRONT AND BACK.
 3. USE TYPE IV POLYURETHANE RUBBER FOR EXPANSION JOINT ON BOTH SIDES OF A STRUCTURE. REFER ALSO TO DETAIL M-1.
 4. WHITE CURING COMPOUND SHALL BE APPLIED TO CONCRETE CURB INCLUDING EXPOSED EDGES PER DELDOT SPECIFICATIONS.



SUSSEX COUNTY
 ENGINEERING DEPARTMENT

APPROVED: *[Signature]*
 SUSSEX COUNTY ENGINEER

**DRAINAGE INLET TOP UNIT
 TYPE D-MODIFIED**

DETAIL
 M-2

DATE ISSUED:
 6/30/2022