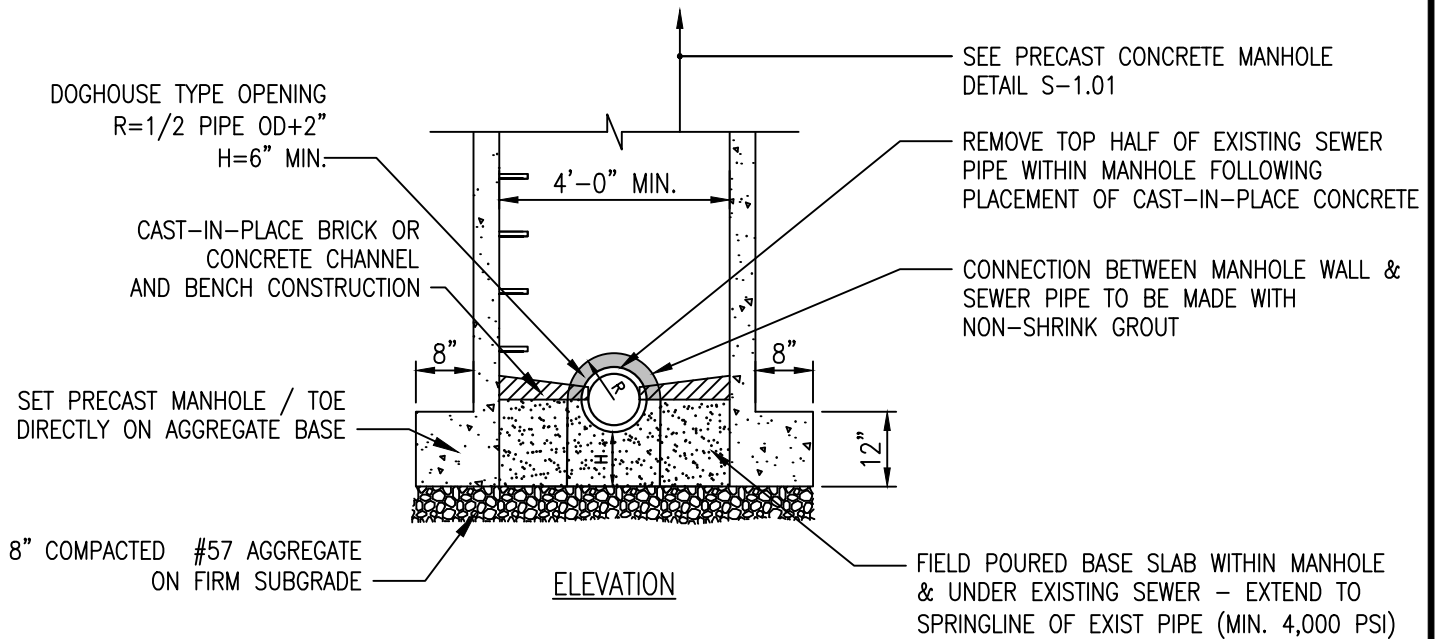


PLAN



ELEVATION

NOTES:

1. INCOMING INVERT OF PROPOSED SEWER SHALL BE EQUAL TO OR GREATER THAN THE SPRING LINE OF EXISTING SEWER PIPE.
2. CORE MANHOLE WALL AS REQUIRED TO ACCEPT PROPOSED PIPE. OPENING SHALL BE SEALED WITH LINK-SEAL MODULAR SEAL FOLLOWING PLACEMENT OF PIPE.
3. PLACEMENT OF DOGHOUSE MANHOLE SHALL BE SUCH THAT EXISTING PIPE JOINT FALLS ENTIRELY OUTSIDE LIMITS OF MANHOLE.



SUSSEX COUNTY
ENGINEERING DEPARTMENT

APPROVED: *[Signature]*
SUSSEX COUNTY ENGINEER

DOGHOUSE MANHOLE

DETAIL
S-1.06

DATE ISSUED:
12/30/2021