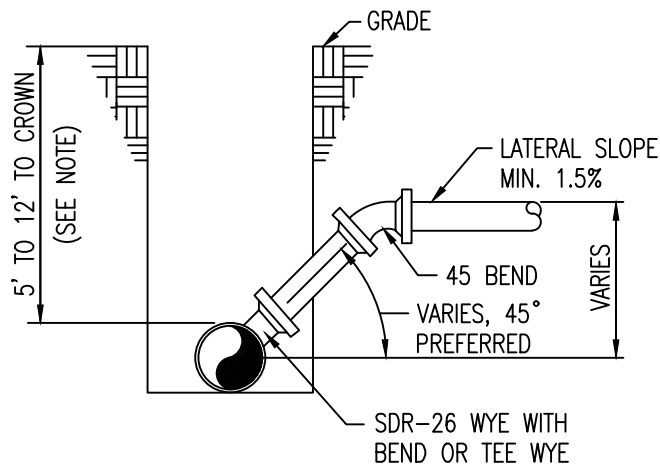


SHALLOW CONFIGURATION



DEEP CONFIGURATION

NOTE:
 LATERALS SHOWN ON THE PLANS AS CRITICAL DEPTH LATERALS WILL BE INSTALLED IN THE SAME FASHION AS SHALLOW LATERALS REGARDLESS OF THE TRENCH DEPTH. FOR MAINS GREATER THAN 12' TO CROWN SEE RISER DETAIL S-2.06.



SUSSEX COUNTY
 ENGINEERING DEPARTMENT

APPROVED: *James Checkley*
 SUSSEX COUNTY ENGINEER

SEWER LATERAL
 CONNECTIONS

DETAIL
 S-2.05

DATE ISSUED:
 10/5/2022