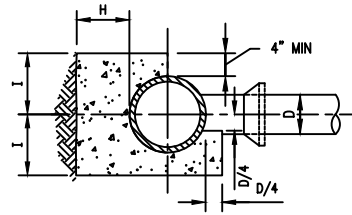
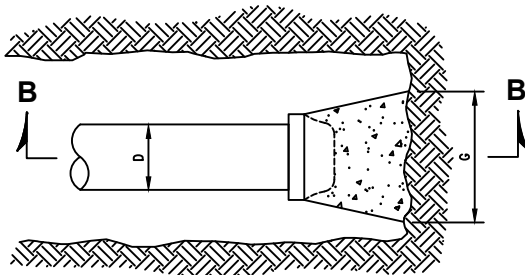


PLAN

TEES

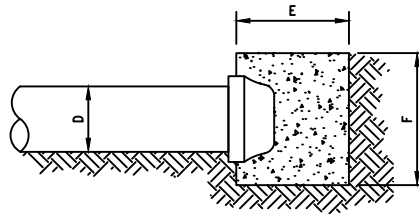


SECTION A-A

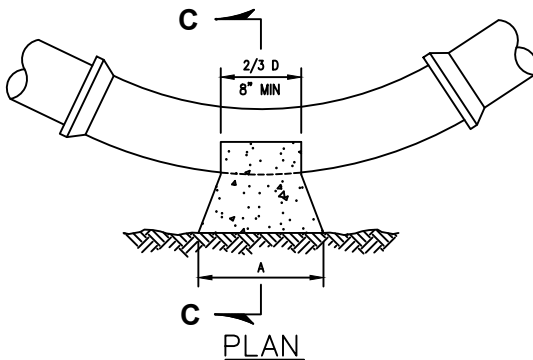


PLAN

PLUGS

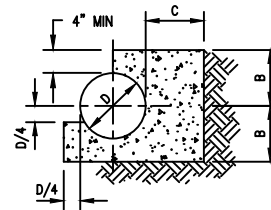


SECTION B-B



PLAN

BENDS



SECTION C-C



SUSSEX COUNTY
ENGINEERING DEPARTMENT

APPROVED: *[Signature]*
SUSSEX COUNTY ENGINEER

CONCRETE BUTTRESS
CONFIGURATIONS

DETAIL
S-4.03

DATE ISSUED:
12/30/2021